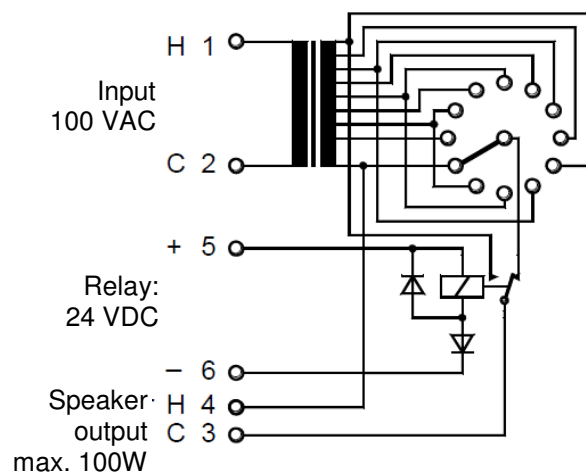
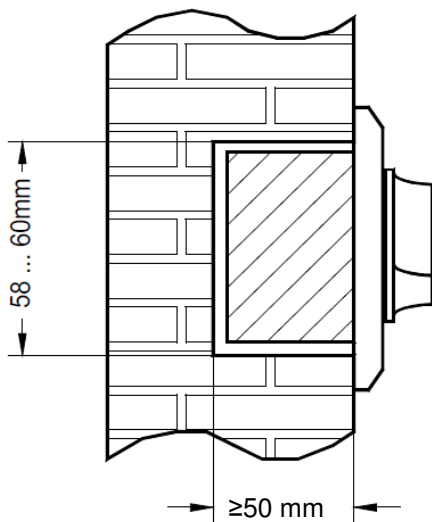
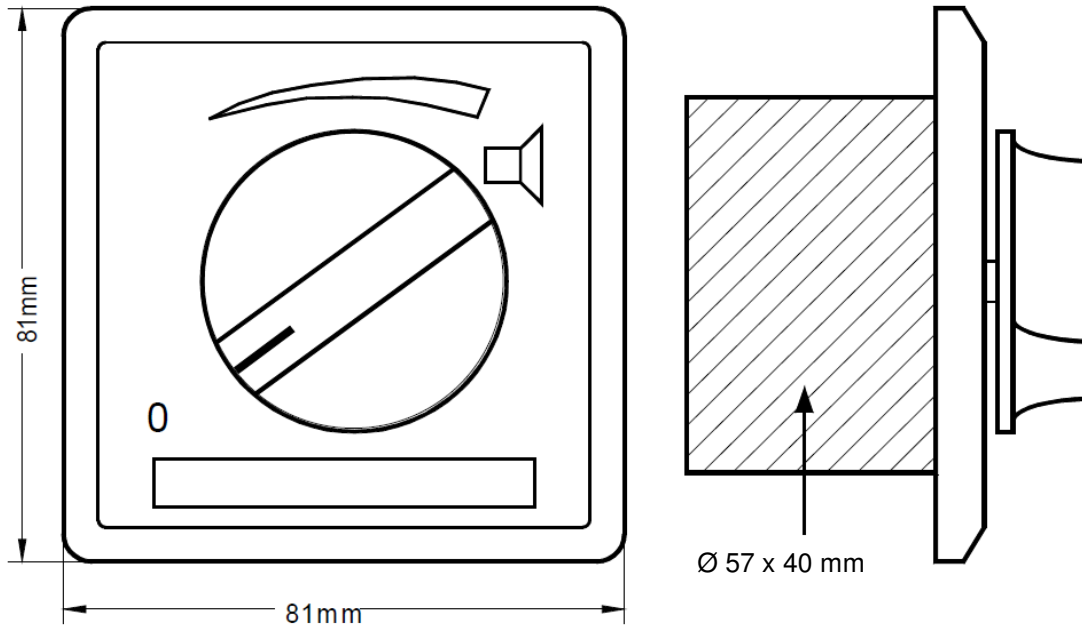


TOA Attenuator with Priority Relay AT-100UPR



Specifications

Frequency response	80 – 20,000 Hz
Input voltage/power	100 VAC / 100 watt
Output voltage	100/50/25/12.5/6.3/3.1/1.5/0.8 watt
Dimensions (W x H x D)	81 x 81 x 61 mm